

Sight Glasses

Sizes

- 1" - 6" O.D. tube

Materials

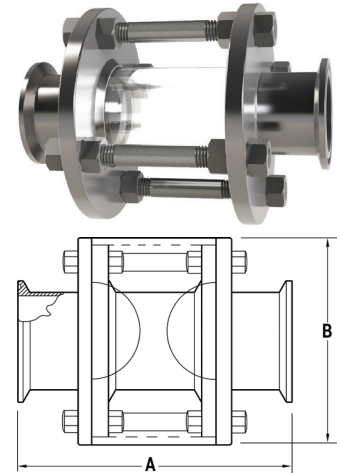
- Body: 316L stainless steel
- Sight glass: Borosilicate glass or polycarbonate
- Gaskets: white nitrile rubber or FKM
- 32Ra sanitary finish, I.D. and O.D.

In-line - B54BMP

Specifications

- Various end configurations are available: clamp, weld, bevel seat, John Perry, I-Line and Q-Line
- Maximum temperature: 200°F (93°C)

| Tube O.D. | A (in) | B (in) | Working Pressure (PSI) | 316L Stainless Steel Borosilicate Glass Part # | 316L Stainless Steel Polycarbonate Part # |
|-----------|--------|--------|------------------------|--|---|
| 1" | 5.62 | 3.25 | 145 | B54BMP-R100 | B54BMP-R100LX |
| 1-1/2" | 5.62 | 4.00 | 145 | B54BMP-R150 | B54BMP-R150LX |
| 2" | 5.62 | 4.25 | 145 | B54BMP-R200 | B54BMP-R200LX |
| 2-1/2" | 6.12 | 4.75 | 120 | B54BMP-R250 | B54BMP-R250LX |
| 3" | 7.25 | 5.50 | 120 | B54BMP-R300 | B54BMP-R300LX |
| 4" | 7.37 | 6.50 | 95 | B54BMP-R400 | B54BMP-R400LX |
| 6" | 7.62 | 9.50 | 80 | B54BMP-R600 | B54BMP-R600LX |



Kits and Replacement Parts

| Size | Nitrile Rubber Seal Kit Part # | FKM Seal Kit Part # | Borosilicate Glass Replacement Part # | Polycarbonate Replacement Part # |
|--------|--------------------------------|---------------------|---------------------------------------|----------------------------------|
| 1" | B54BMP-SK100 | B54BMP-VK100 | B54G-P100 | B54BMP-LX100 |
| 1-1/2" | B54BMP-SK150 | B54BMP-VK150 | B54G-P150 | B54BMP-LX150 |
| 2" | B54BMP-SK200 | B54BMP-VK200 | B54G-P200 | B54BMP-LX200 |
| 2-1/2" | B54BMP-SK250 | B54BMP-VK250 | B54G-P250 | B54BMP-LX250 |
| 3" | B54BMP-SK300 | B54BMP-VK300 | B54G-P300 | B54BMP-LX300 |
| 4" | B54BMP-SK400 | B54BMP-VK400 | B54G-P400 | B54BMP-LX400 |
| 6" | B54BMP-SK600 | B54BMP-VK600 | B54G-P600 | B54BMP-LX600 |

NOTE: Seal kit contains: (2) white nitrile rubber gaskets

Acrylic Sight Glass End Caps - B5416MP

Feature

- For use with clamp connections

Specifications

- Maximum temperature: 150°F (66°C)
- Maximum operating pressure: 100 PSI

| Tube O.D. | A (in) | B (in) | C (in) | D (in) | Acrylic Plastic Part # |
|-------------|--------|--------|--------|--------|------------------------|
| 1" - 1-1/2" | 1.98 | 1.72 | 1.68 | .50 | B5416MP-A100150 |
| 2" | 2.52 | 2.22 | 2.19 | .50 | B5416MP-A200 |
| 2-1/2" | 3.05 | 2.78 | 2.71 | .50 | B5416MP-A250 |
| 3" | 3.58 | 3.28 | 3.22 | .50 | B5416MP-A300 |
| 4" | 4.68 | 4.34 | 4.26 | .50 | B5416MP-A400 |
| 6" | 6.57 | 6.18 | 6.13 | .50 | B5416MP-A600 |
| 8" | 8.57 | 8.17 | 8.22 | .50 | B5416MP-A800 |

