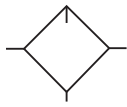


# Lubricator L40 EconOmist™

= "Most Popular"



**L40-0B-000**

## Specifications

Flow Capacity*	1-1/2	927 SCFM (437 dm <sup>3</sup> /s)
Initial Drip Flow		.95 SCFM
Maximum Supply Pressure		150 PSIG (10.3 bar)
Minimum Flow for Lubrication		1 SCFM @ 100 PSIG
Operating Temperature		32° to 125°F (0° to 52°C)
Port Size	NPT / BSPP-G	1-1/4, 1-1/2
Bowl Capacity		26.0 oz
Weight		9.4 lb. (4.3 kg)

\* Inlet pressure 120 PSIG (8.3 bar). Pressure drop 5 PSID (0.3 bar).

## Materials of Construction

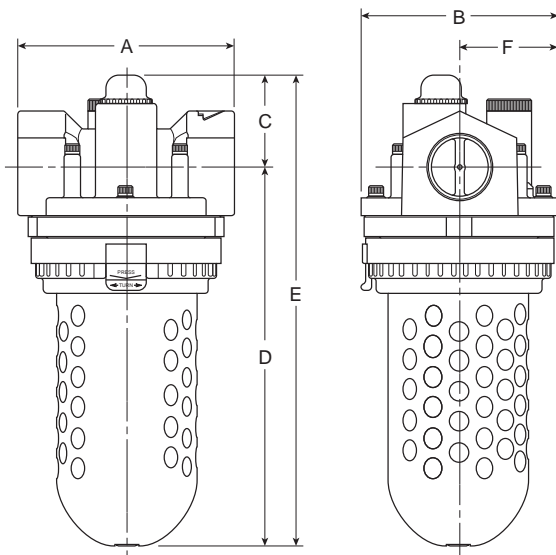
Body	Zinc
Bowl	Polycarbonate
Seals	Nitrile
Sight Dome	Nylon
Suggested Lubricant	Airline Oil F442001

**B**

Filters, Regulators, Lubricators

## Features

- Full View Sight Dome
- Siphon Tube Filter Provides Clean Lubricant Downstream
- Quick-Disconnect Clamp Ring for Easy Bowl Removal
- Adjustable Oil Feed
- Standard Transparent Bowl with Metal Bowl Guard
- Can be Filled while Under Pressure



## Dimensions

Models	Inches (mm)	A	B	C	D	E	F
Standard Unit L40-XX-000		5.50 (140)	4.79 (122)	2.27 (58)	9.40 (239)	11.67 (296)	2.40 (61)

= "Most Popular"

### Replacement Bowl Kits

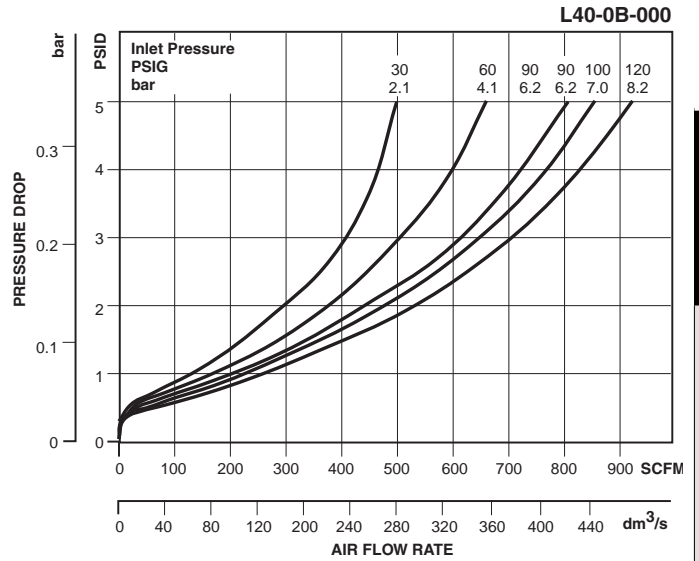
- Metal Bowl –  
 Brass Petcock Drain.....FRP-95-593  
 Sight Gauge, Brass Petcock Drain ..... GRP-95-676
- Plastic Bowl –  
 Plastic Petcock Drain ..... LRP-96-160  
 Guard, Plastic Petcock Drain ..... LRP-95-830  
 No Drain Port ..... LRP-96-940

### Replacement Kits

- Fill Plug Kit – Fill Plug and O-ring ..... LRP-95-250  
 Sight Dome Kit – Sight Dome and O-ring ..... LRP-95-249  
 Tube, Siphon – Tube and Bronze Filter ..... LRP-96-182

### Accessories

- Air Line Oil (1 Qt.) ..... F442001  
 Air Line Oil (1 Gal.) ..... F442002  
 Brass Petcock.....GRP-95-182  
 Plastic Petcock.....LRP-95-181  
 Tamper Resistant Kit.....LRP-95-587



**B**

Filters, Regulators, Lubricators

### Ordering Information

Model Type	Port Size	Metal Bowl / Sight Gauge / Manual Drain	Polycarbonate Bowl / Bowl Guard	Polycarbonate Bowl / Bowl Guard / Manual Drain
EconOmist™	1-1/2	L40-0B-G00	L40-0B-000	L40-0B-D00

Options - To order an option supplied with the unit model, add the appropriate coded suffix letter in the designated position of the model number.