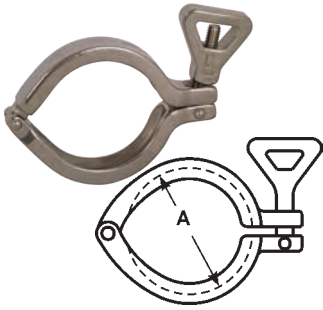


I-line / Q-line Clamps

Heavy Duty - 13ILH

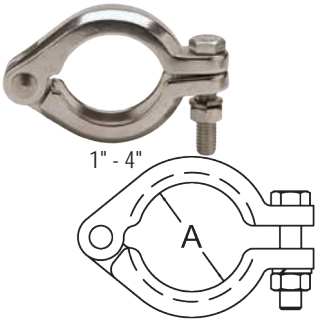
Sanitary Fittings



Tube OD	Service Pressure PSI Rating @ 70°F (21°C) ¹	Service Pressure PSI Rating @ 250°F (121°C) ¹	Dimension A	304 Stainless Steel Part #
1" - 1½"	700	250	2.122"	13ILH100-150
2"	450	250	2.654"	13ILH200
2½"	450	200	3.185"	13ILH250
3"	350	150	3.717"	13ILH300
4"	200	125	4.820"	13ILH400
6"	150	100	7.689"	13ILH600
8"	125	75	9.689"	13ILH800

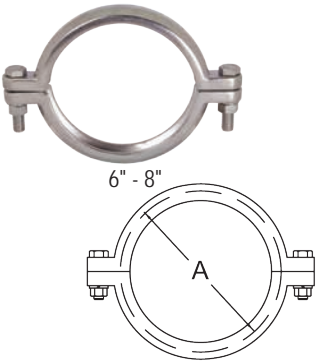
¹ wing nut tightened to 25 in. lbs. of torque

Bolted - 13ILB



Tube OD	Service Pressure PSI Rating @ 70°F (21°C) ¹	Service Pressure PSI Rating @ 250°F (121°C) ¹	Dimension A	304 Stainless Steel Part #
1" - 1½"	1220	1100	2.122"	13ILB100-150
2"	900	830	2.654"	13ILB200
2½"	720	660	3.185"	13ILB250
3"	600	550	3.717"	13ILB300
4"	570	525	4.820"	13ILB400

¹ nut tightened to 20 ft. lbs. of torque



Tube OD	Service Pressure PSI Rating @ 70°F (21°C) ¹	Service Pressure PSI Rating @ 250°F (121°C) ¹	Dimension A	304 Stainless Steel Part #
6"	300	200	7.689"	13ILB600
8"	250	150	9.689"	13ILB800

¹ nut tightened to 20 ft. lbs. of torque