



Pressure Restricting Valves

Model AVAPR250F-I, 2½" x 2½", Female x Male

Combination Angle Hose & Pressure Restricting Valve

Installation Instructions

Intended Use

This pressure restricting valve should be installed per NFPA 14, Class I or III Standpipe System inline or Hose Outlet. This device serves as a means of restricting existing high pressure at the hose outlet under flow conditions only. This valve is designed to restrict inlet pressures from a maximum rated inlet pressure of **175 PSI**, down to prescribed levels in accordance with NFPA 14. This device features a restraining collar and yoke with removable pin that may be removed only if so specified by the local fire department to provide higher discharge pressures.

Acceptance Testing

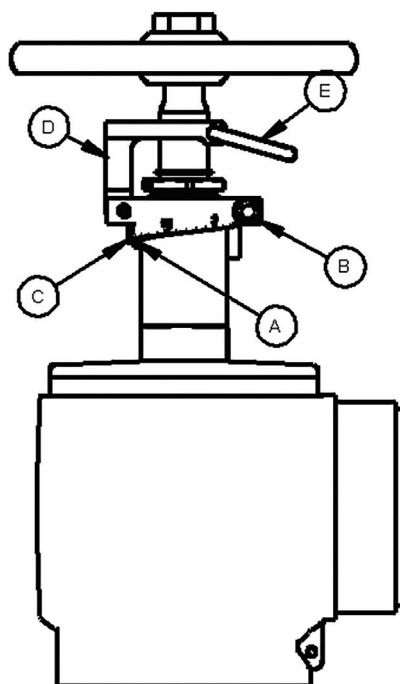
Upon completion of system installation, each pressure restricting valve shall be tested in accordance with NFPA 14 to verify that inlet and outlet pressures at the valve are in accordance with design and that the valve is operating correctly.

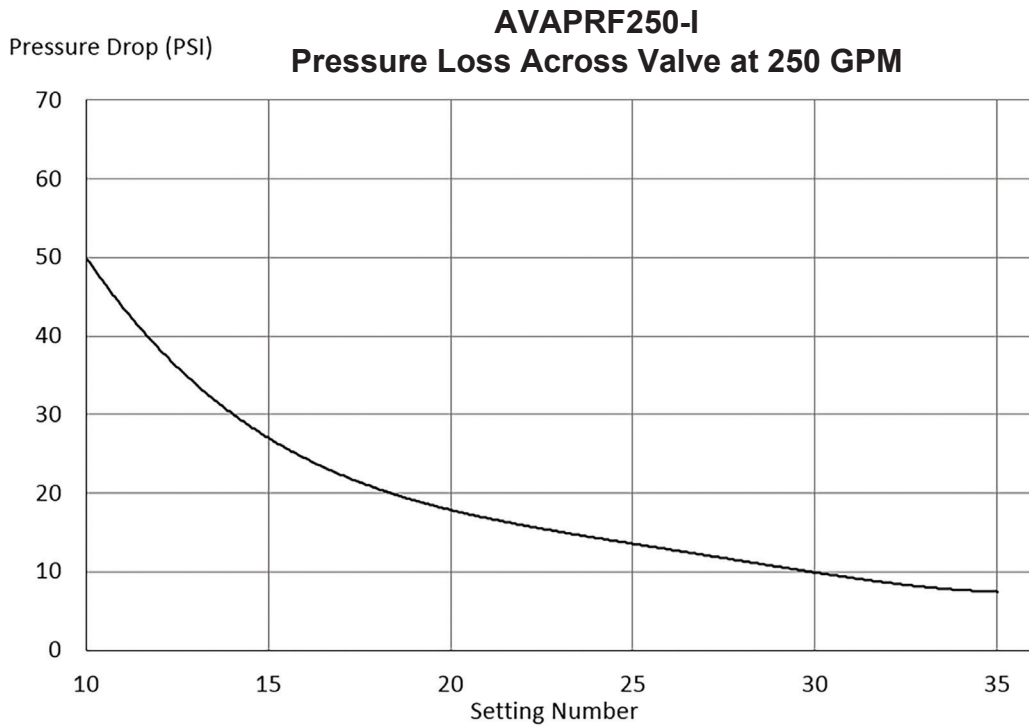
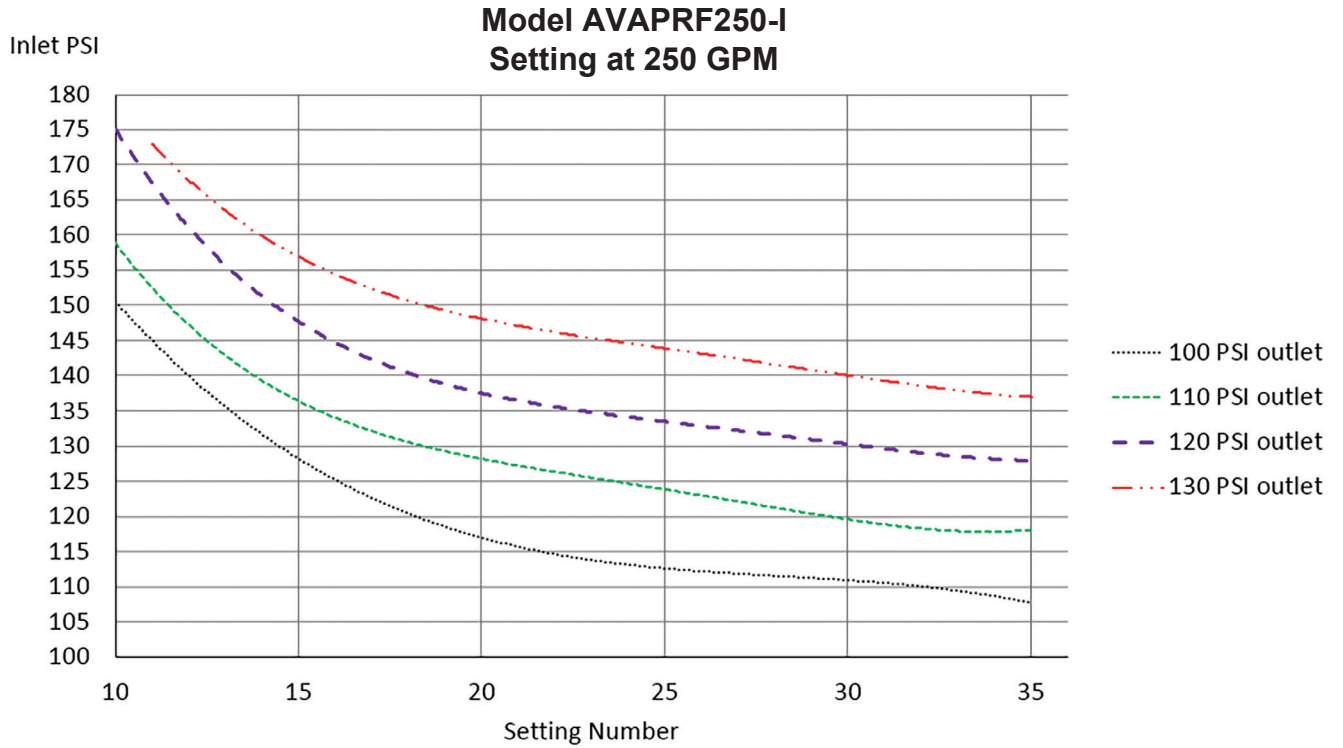
Valve Maintenance

A visual inspection of the valve body, threads and collar assembly should be conducted prior to installation and periodically to insure there is no physical damage. The valve should also be tested and maintained in accordance with NFPA 25. If the internal parts become damaged, the valve should be replaced with a functional equivalent.

Setting the Valve

1. Determine proper set number from chart.
2. Loosen lock screw (B).
3. Rotate control collar (C) until set number lines up with pin (A) being sure bottom of control collar (C) is against pin (A).
4. Tighten control collar lock screw (B). Valve is now ready for use.
5. To open the valve fully, pull the release pin (E) and flip the restraining yoke (D) out of the way.
6. Test after installation and periodically in accordance with NFPA 13 and/or 14, whichever is applicable, and NFPA 25.





Readings based on flow held to 250 GPM and outlet pressures of **100, 110, 120, and 150 PSI**.
 Example: Inlet Pressure **120 PSI**, Discharge Pressure **100 PSI** - the Set Number should be 15

Dixon®
325 Arbor Court
Winchester, VA 22602 USA
540-535-2181
dixonvalve.com