

Electrically Actuated 3-Way Stainless Ball Valves - 'T / L' Port

Features:

3-Way Stainless Ball Valve

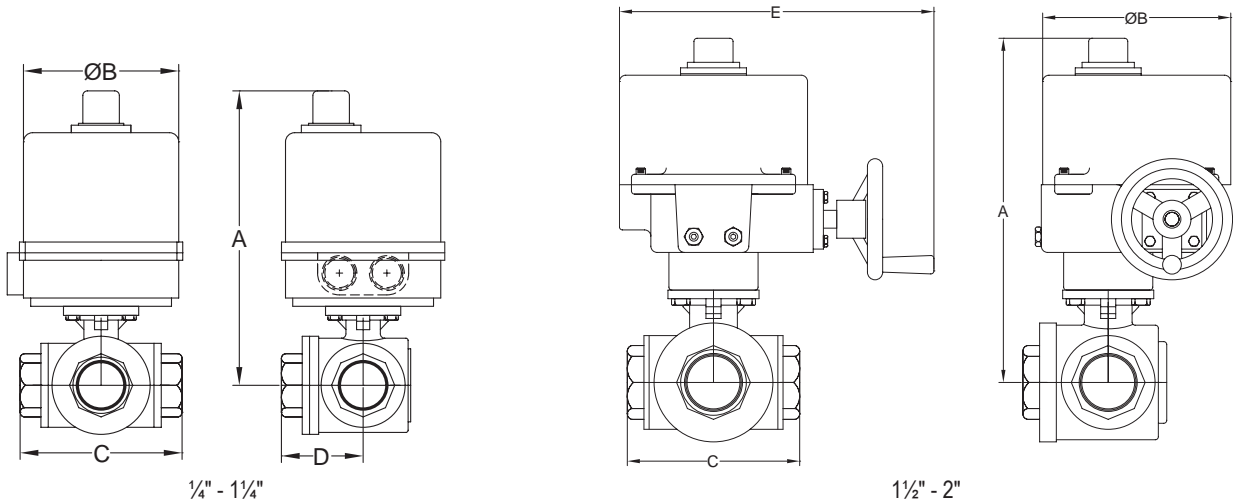
- full port
- female NPT ends
- blow-out proof stem
- live-loaded stem packing
- ISO 5211 mounting pad
- 100% air tested under water at **80 PSI**
- working pressure: ¼" to 1": **1000 PSI**;
1¼" to 2": **800 PSI**
- maximum temperature: **300°F**

Electric Actuator

- lightweight powder coated aluminum alloy housing
- NEMA 4/4X waterproof and dustproof
- extended duty cycle induction motor
- high alloy steel gear train
- H-insulation class
- visual position indication
- space heater is standard
- manual override standard: ½" - 1½" sizes
- temperature range: **-41°F to 140°F**
- ISO 9001, CS, CE and CSA-C US Certified
- RoHS compliant



- see page 706 for flow path options
- A flow path needs to be selected at time of order. If no flow path is selected, the option number labeled as default will be shipped.
- Customer verification is critical. If flow path needs to be changed after being shipped, labor and shipping charges will apply.
- for spring return actuators must note fail position



Dimensions are approximate. Engineering dimensions are available upon request.
Specifications are subject to change without notice.

* T = t style
* L = l style

Size	Dimensions					Override	316 Stainless Steel Part #	Voltage				
	A	B	C	D	E			110VAC -EA	24VDC -EG	12VDC -ET	220VAC -EK	24VAC -ES
¼"	9.01	6.06	2.83	1.41	N/A	standard	BV3IG*F-0251	\$1184.10	\$1184.10	\$1184.10	\$1184.10	\$1291.30
⅜"	9.01	6.06	2.83	1.41	N/A	standard	BV3IG*F-0381	1184.10	1184.10	1184.10	1184.10	1291.30
½"	9.21	6.06	3.26	1.63	N/A	standard	BV3IG*F-0501	1184.10	1184.10	1184.10	1184.10	1291.30
¾"	9.21	6.06	3.89	1.94	N/A	standard	BV3IG*F-0751	1313.05	1313.05	1313.05	1313.05	1420.25
1"	9.74	6.06	4.40	2.20	N/A	standard	BV3IG*F-1001	1456.30	1456.30	1456.30	1456.30	1563.50
1¼"	10.04	6.06	4.92	2.46	N/A	standard	BV3IG*F-1251	1715.40	1715.40	1715.40	1715.40	1822.60
1½"	12.92	7.87	5.86	2.93	12.99	handwheel	BV3IG*F-1501	2817.10	2817.10	2817.10	2817.10	3080.60
2"	13.67	7.87	6.85	3.42	12.99	handwheel	BV3IG*F-2001	3664.70	3664.70	3664.70	3664.70	4392.20

A wide variety of options are available: modulating, extra switches, transmitters, potentiometer, etc.
Contact Dixon™ at 800.789.1718 or visit dixonvalve.com for details.

Caution !

Even though there are torque safety factors built into our automated ball valve packages, actual service conditions must also be considered when selecting the proper product for the appropriate application.

For example: Severe service conditions such as dirty water, dirty air, all slurries, raw sewage water, oils, and other viscous fluids can have a dramatic affect in raising the torque requirements of ball valves as much as 75% and therefore larger actuators may be required. Please consult Dixon™ when dealing with these types of applications.