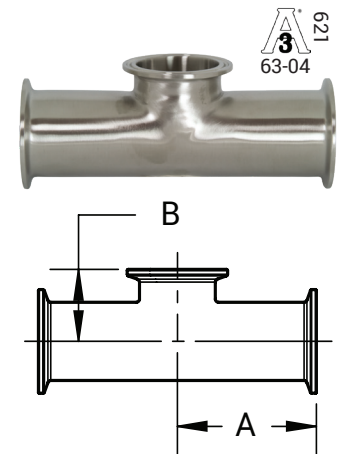


Clamp Fittings - Tees

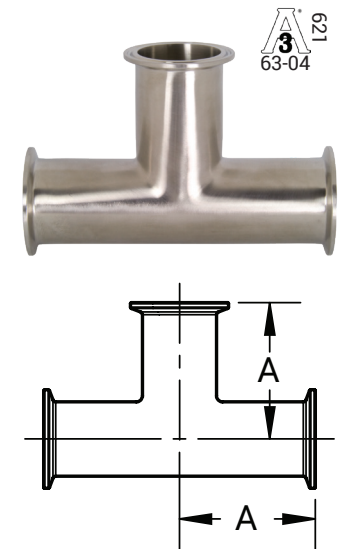
Short Outlet Tees - B7MPS

Tube O.D.	A (in)	B (in)	304 Stainless Steel Part #	316L Stainless Steel Part #
1"	2.38	1.13	B7MPS-G100	B7MPS-R100
1-1/2"	2.75	1.38	B7MPS-G150	B7MPS-R150
2"	3.50	1.63	B7MPS-G200	B7MPS-R200
2-1/2"	3.50	1.88	B7MPS-G250	B7MPS-R250
3"	3.75	2.13	B7MPS-G300	B7MPS-R300
4"	4.50	2.75	B7MPS-G400	B7MPS-R400



Clamp Tees - B7MP

Tube O.D.	A (in)	304 Stainless Steel Part #	316L Stainless Steel Part #
1/2"	2.38	---	B7MP-R50
3/4"	2.50	---	B7MP-R75
1"	2.38	B7MP-G100	B7MP-R100
1-1/2"	2.75	B7MP-G150	B7MP-R150
2"	3.50	B7MP-G200	B7MP-R200
2-1/2"	3.50	B7MP-G250	B7MP-R250
3"	3.75	B7MP-G300	B7MP-R300
4"	4.50	B7MP-G400	B7MP-R400
6"	6.50	B7MP-G600	B7MP-R600
8"	7.88	B7MP-G800	B7MP-R800
10"	9.38	B7MP-G1000	---
12"	10.88	B7MP-G1200	---



Clamp Reducing Tees - B7RMP

Tube O.D.	A (in)	B (in)	304 Stainless Steel Part #	316L Stainless Steel Part #
3/4" x 1/2"	2.50	2.50	---	B7RMP-R7550
1" x 1/2"	2.63	2.63	---	B7RMP-R10050
1" x 3/4"	2.63	2.63	---	B7RMP-R10075
1-1/2" x 1/2"	2.88	2.88	---	B7RMP-R15050
1-1/2" x 3/4"	2.88	2.88	---	B7RMP-R15075
1-1/2" x 1"	2.16	1.88	B7RMP-G150100	B7RMP-R150100
2" x 1/2"	3.38	3.13	---	B7RMP-R20050
2" x 3/4"	3.38	3.13	---	B7RMP-R20075
2" x 1"	2.56	2.13	B7RMP-G200100	B7RMP-R200100
2" x 1-1/2"	2.56	2.41	B7RMP-G200150	B7RMP-R200150
2-1/2" x 1-1/2"	2.84	2.66	B7RMP-G250150	B7RMP-R250150
2-1/2" x 2"	2.84	2.81	B7RMP-G250200	B7RMP-R250200
3" x 1-1/2"	3.09	2.91	B7RMP-G300150	B7RMP-R300150
3" x 2"	3.09	3.06	B7RMP-G300200	B7RMP-R300200
3" x 2-1/2"	3.09	3.09	B7RMP-G300250	B7RMP-R300250
4" x 1-1/2"	4.06	3.41	B7RMP-G400150	B7RMP-R400150
4" x 2"	4.06	3.56	B7RMP-G400200	B7RMP-R400200
4" x 2-1/2"	4.06	3.59	B7RMP-G400250	B7RMP-R400250
4" x 3"	4.06	3.59	B7RMP-G400300	B7RMP-R400300

