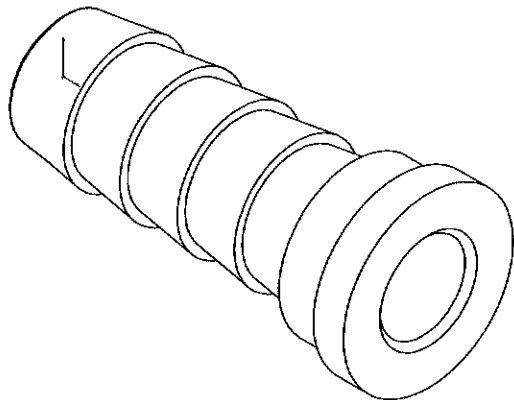
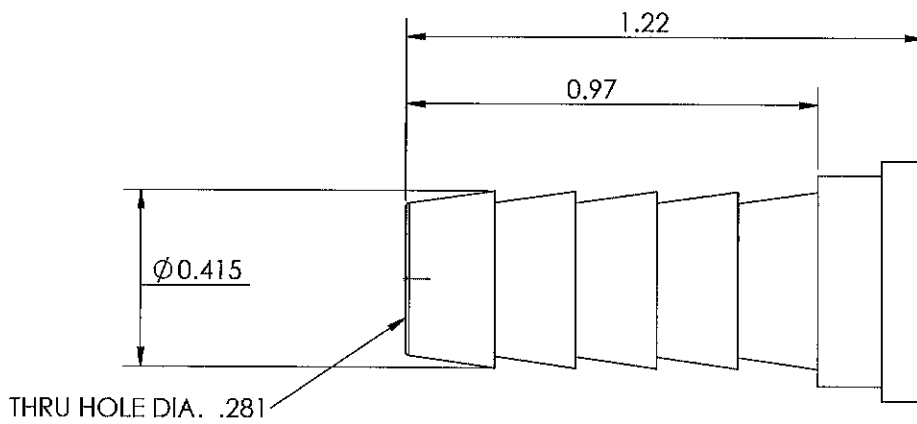

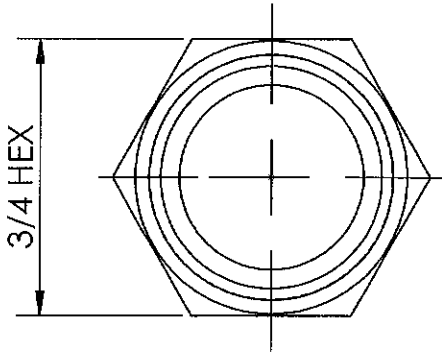
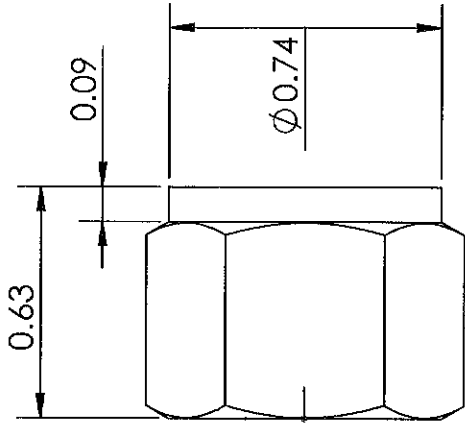


LINE DRAWING NOT FOR PRODUCTION PURPOSES

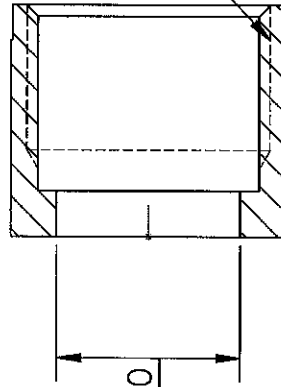


THIS DRAWING CONTAINS INFORMATION DEEMED PROPRIETARY TO DIXON BRASS AND IS SO TO BE USED ONLY FOR THE PURPOSE FOR WHICH IT IS SUBMITTED, AND FURTHER, SHALL NOT BE COPIED IN WHOLE OR IN PART WITHOUT EXPRESS WRITTEN PERMISSION FIRST OBTAINED FROM DIXON BRASS.			
UNLESS OTHERWISE SPECIFIED:			
DIMENSIONS ARE IN INCHES			
TOLERANCES:			
ANGLES: $\pm 0^{\circ}30'$			
.X (±.015)			
.XX (±.010)			
.XXX (±.005)			
DIMENSIONS PER ANSI Y14.5			
 The Right Connection™		Dixon Brass Westmont, Illinois USA	
DRAWN		DATE	
P. MONAGHAN		2/28/14	
APPROVED		DATE	
ECO NO.			
DRAWING NOT REPRODUCED TO SCALE			
TITLE:		SIZE	REV
3/8 SWIVEL STEM GASKET SEAT TYPE		A	C
		DWG. NO.	
		1260606S	

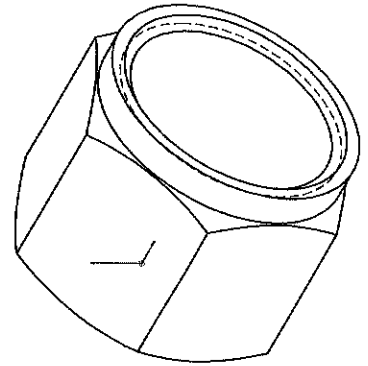
LINE DRAWING NOT FOR PRODUCTION PURPOSES



(THRU HOLE DIA.) ϕ 0.50



3/8 - 18 NPSM
THREAD



<p>THIS DRAWING CONTAINS INFORMATION DEEMED PROPRIETARY TO DIXON BRASS AND IS TO BE USED ONLY FOR THE PURPOSE FOR WHICH IT IS SUBMITTED, AND FURTHER, SHALL NOT BE COPIED IN WHOLE OR IN PART WITHOUT EXPRESS WRITTEN PERMISSION FIRST OBTAINED FROM DIXON BRASS.</p>		<p>DATE 2/27/14</p>
<p>UNLESS OTHERWISE SPECIFIED: DIMENSIONS ARE IN INCHES TOLERANCES: ANGLES: 30° XX (+0.15) XXX (+0.10) XXX (±.005)</p>		<p>DRAWN P. MONAGHAN</p>
<p>DIXON The Right Connection™</p>		<p>APPROVED ECO NO.</p>
<p>Dixon Brass Westmont, Illinois USA</p>		<p>DATE 2/27/14</p>
<p>TITLE: FEMALE SWIVEL NUT 3/8 - 18 NPSM</p>		<p>DRAWING NOT REPRODUCED TO SCALE</p>
<p>SIZE A</p>	<p>DWG. NO. 1240406N</p>	<p>REV D</p>