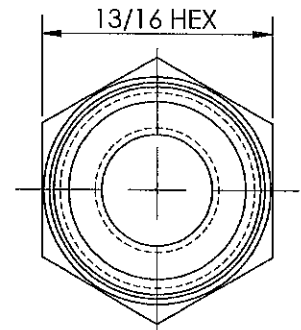
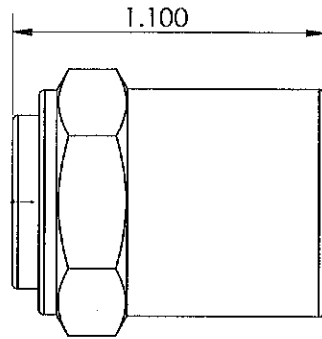
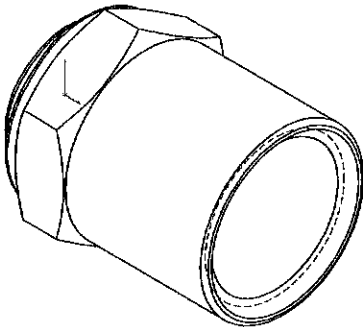
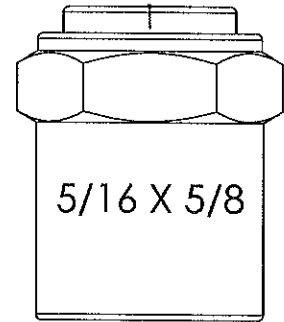
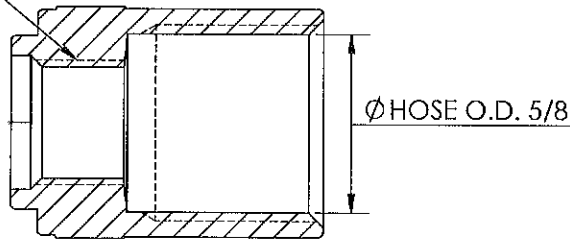



LINE DRAWING NOT FOR PRODUCTION PURPOSES

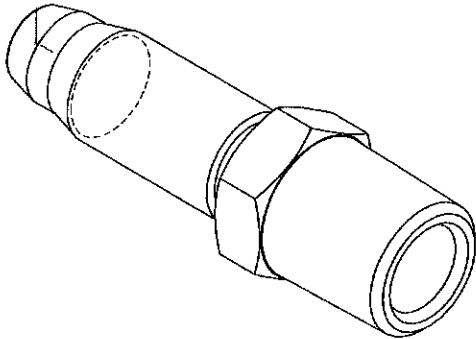
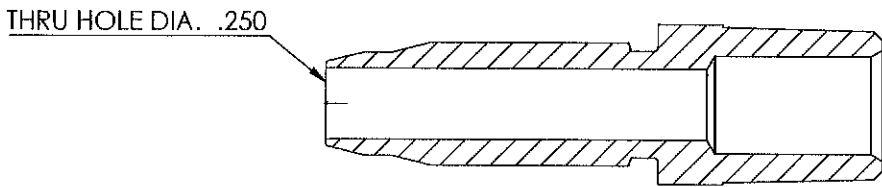
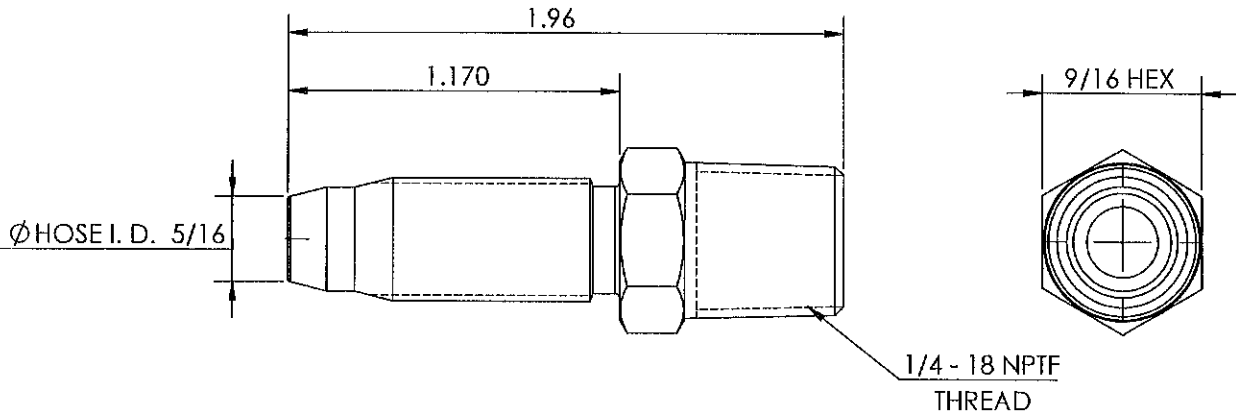



7/16 - 20 UNF2B
HOSE I.D. 5/16



THIS DRAWING CONTAINS INFORMATION DEEMED PROPRIETARY TO DIXON BRASS AND IS SO TO BE USED ONLY FOR THE PURPOSE FOR WHICH IT IS SUBMITTED, AND FURTHER, SHALL NOT BE COPIED IN WHOLE OR IN PART WITHOUT EXPRESS WRITTEN PERMISSION FIRST OBTAINED FROM DIXON BRASS.				
UNLESS OTHERWISE SPECIFIED:		 Dixon Brass Westmont, Illinois USA	DRAWN P. MONAGHAN	DATE 4/17/15
DIMENSIONS ARE IN INCHES			APPROVED	DATE
TOLERANCES: ANGLES: ±0°30' .X (±.015) .XX (±.010) .XXX (±.005)		ECO NO.		
DIMENSIONS PER ANSI Y14.5		DRAWING NOT REPRODUCED TO SCALE		
TITLE: REUSABLE FERRULE		SIZE A	DWG. NO. 1800510F	REV B

LINE DRAWING NOT FOR PRODUCTION PURPOSES



THIS DRAWING CONTAINS INFORMATION DEEMED PROPRIETARY TO DIXON BRASS AND IS SO TO BE USED ONLY FOR THE PURPOSE FOR WHICH IT IS SUBMITTED, AND FURTHER, SHALL NOT BE COPIED IN WHOLE OR IN PART WITHOUT EXPRESS WRITTEN PERMISSION FIRST OBTAINED FROM DIXON BRASS.			
UNLESS OTHERWISE SPECIFIED:		DRAWN: P. MONAGHAN	
DIMENSIONS ARE IN INCHES		DATE: 4/27/15	
TOLERANCES: ANGLES: $\pm 0^{\circ} 30'$.X ($\pm .015$) .XX ($\pm .010$) .XXX ($\pm .005$)		APPROVED: _____	
DIMENSIONS PER ANSI Y14.5		DATE: _____	
 Dixon Brass Westmont, Illinois USA		ECO NO. _____	
TITLE: REUSABLE MALE STEM		DRAWING NOT REPRODUCED TO SCALE	
		SIZE: A	REV: B
		DWG. NO. 1820504S	