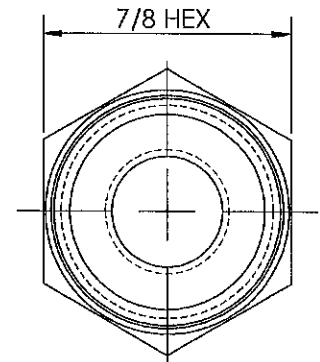
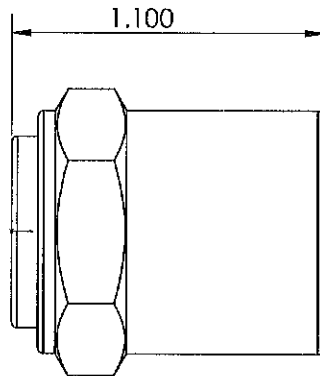
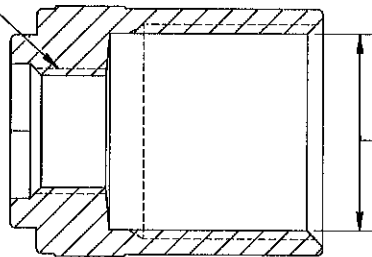


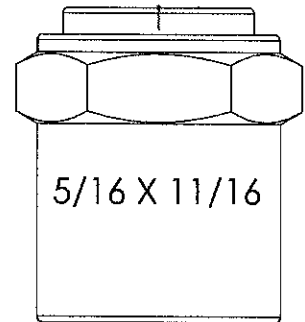
LINE DRAWING NOT FOR PRODUCTION PURPOSES



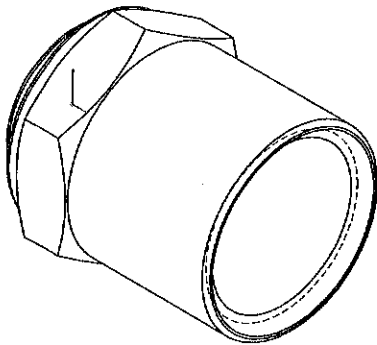
7/16 -20 UNF-2B
HOSE I.D. 5/16




Ø HOSE O.D. 11/16

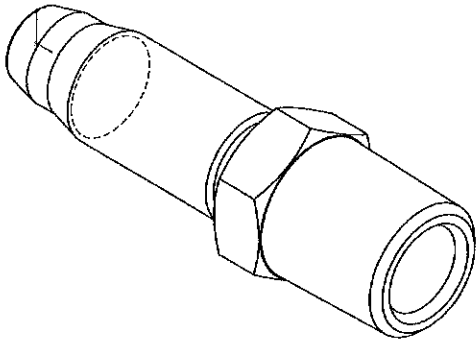
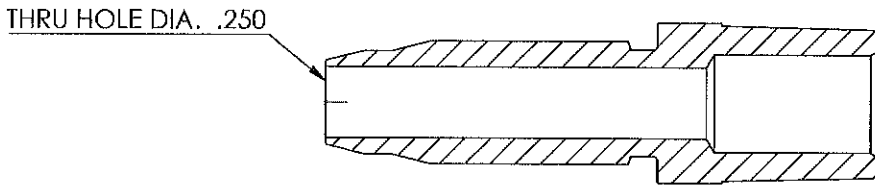
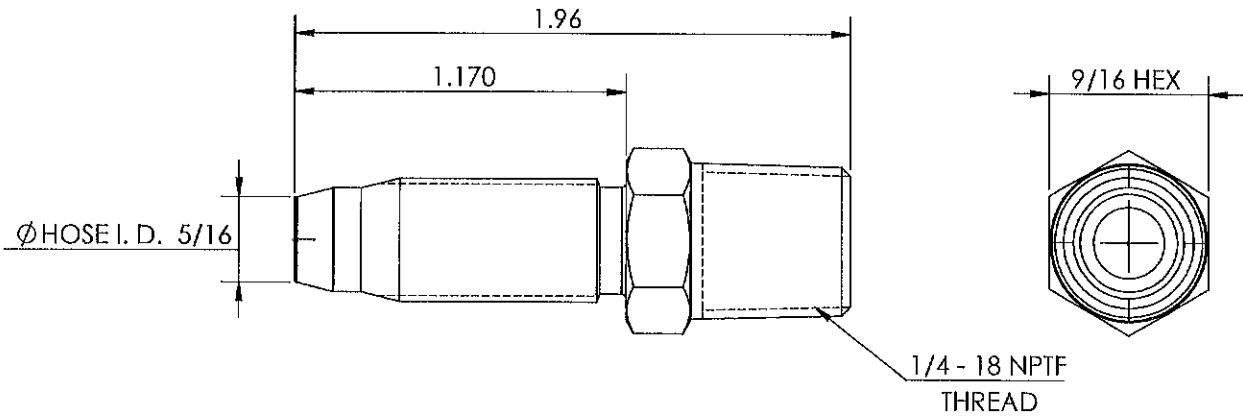



5/16 X 11/16



THIS DRAWING CONTAINS INFORMATION DEEMED PROPRIETARY TO DIXON BRASS AND IS TO BE USED ONLY FOR THE PURPOSE FOR WHICH IT IS SUBMITTED, AND FURTHER, SHALL NOT BE COPIED IN WHOLE OR IN PART WITHOUT EXPRESS WRITTEN PERMISSION FIRST OBTAINED FROM DIXON BRASS.			
UNLESS OTHERWISE SPECIFIED:		DRAWN	
DIMENSIONS ARE IN INCHES		P. MONAGHAN	
TOLERANCES:		APPROVED	
ANGLES: ±0°30'		DATE	
.X (±.015)		ECO NO.	
.XX (±.010)		DRAWING NOT REPRODUCED TO SCALE	
.XXX (±.005)		DWG. NO.	
DIMENSIONS PER ANSI Y14.5		REV	
		Dixon Brass Westmont, Illinois USA	
TITLE: REUSABLE FERRULE		DATE 4/17/15	
		SIZE A	
		DWG. NO. 1800511F	
		REV B	

LINE DRAWING NOT FOR PRODUCTION PURPOSES



THIS DRAWING CONTAINS INFORMATION DEEMED PROPRIETARY TO DIXON BRASS AND IS TO BE USED ONLY FOR THE PURPOSE FOR WHICH IT IS SUBMITTED, AND FURTHER, SHALL NOT BE COPIED IN WHOLE OR IN PART WITHOUT EXPRESS WRITTEN PERMISSION FIRST OBTAINED FROM DIXON BRASS.				
UNLESS OTHERWISE SPECIFIED:				
DIMENSIONS ARE IN INCHES		 Dixon Brass Westmont, Illinois USA	DRAWN	DATE
TOLERANCES: ANGLES: $\pm 0^{\circ}30'$.X ($\pm .015$) .XX ($\pm .010$) .XXX ($\pm .005$)			APPROVED	DATE
DIMENSIONS PER ANSI Y14.5		TITLE:	ECO NO.	
		REUSABLE MALE STEM	DRAWING NOT REPRODUCED TO SCALE	
SIZE	DWG. NO.			REV
A	1820504S			B