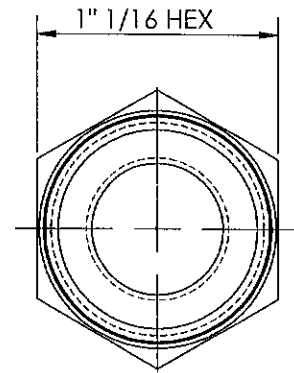
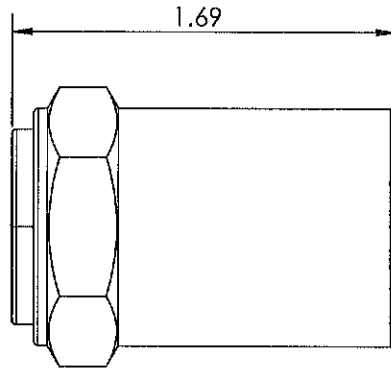
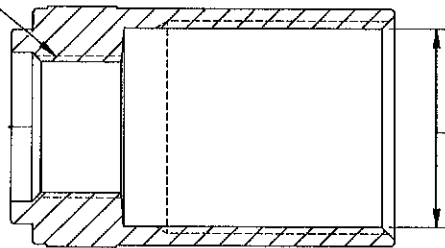


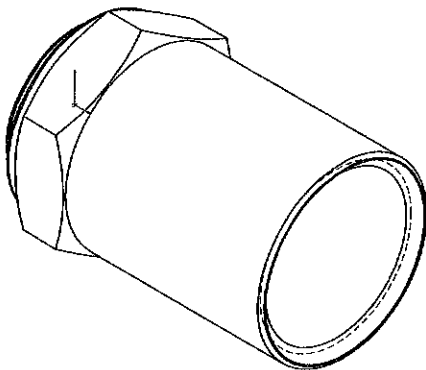
LINE DRAWING NOT FOR PRODUCTION PURPOSES




5/8 -18 UNF-2B
HOSE I.D. 1/2

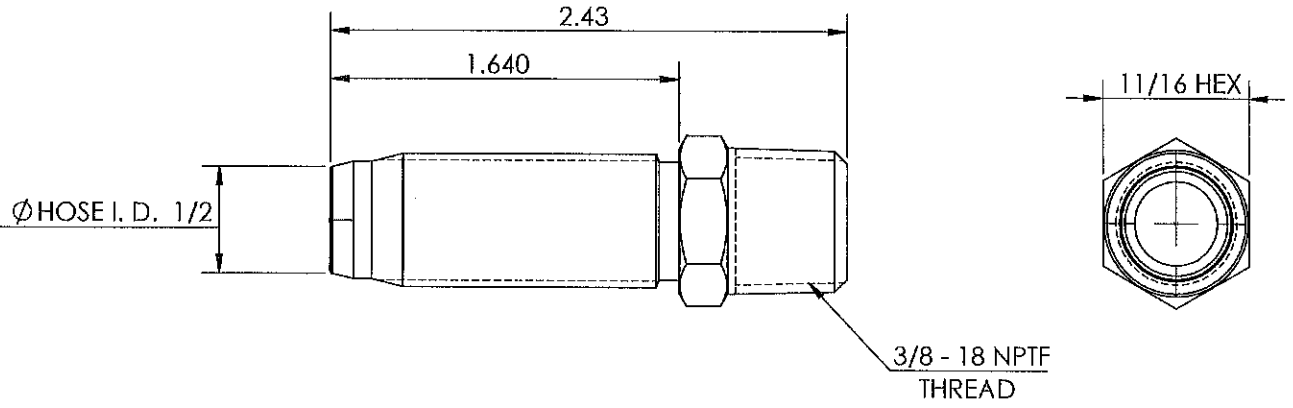


Ø HOSE O.D. 7/8

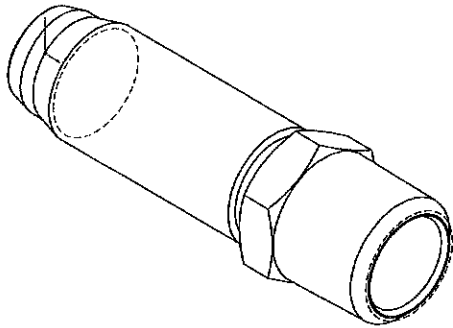
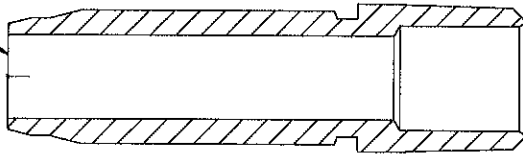



THIS DRAWING CONTAINS INFORMATION DEEMED PROPRIETARY TO DIXON BRASS AND IS SO TO BE USED ONLY FOR THE PURPOSE FOR WHICH IT IS SUBMITTED, AND FURTHER, SHALL NOT BE COPIED IN WHOLE OR IN PART WITHOUT EXPRESS WRITTEN PERMISSION FIRST OBTAINED FROM DIXON BRASS.			
UNLESS OTHERWISE SPECIFIED:		DRAWN	DATE
DIMENSIONS ARE IN INCHES		P. MONAGHAN	4/20/15
TOLERANCES:		APPROVED	DATE
ANGLES: ±0°30'		ECO NO.	
.X (±.015)		DRAWING NOT REPRODUCED TO SCALE	
.XX (±.010)		SIZE	DWG. NO.
.XXX (±.005)		A	1800814F
DIMENSIONS PER ANSI Y14.5		REV	C
 Dixon Brass Westmont, Illinois USA		TITLE: REUSABLE FERRULE	

LINE DRAWING NOT FOR PRODUCTION PURPOSES



THRU HOLE DIA. .390



THIS DRAWING CONTAINS INFORMATION DEEMED PROPRIETARY TO DIXON BRASS AND IS SO TO BE USED ONLY FOR THE PURPOSE FOR WHICH IT IS SUBMITTED, AND FURTHER, SHALL NOT BE COPIED IN WHOLE OR IN PART WITHOUT EXPRESS WRITTEN PERMISSION FIRST OBTAINED FROM DIXON BRASS.				
UNLESS OTHERWISE SPECIFIED:		 Dixon Brass Westmont, Illinois USA	DRAWN P. MONAGHAN APPROVED	DATE 4/28/15 DATE
DIMENSIONS ARE IN INCHES TOLERANCES: ANGLES: $\pm 0^{\circ}30'$.X (± 0.15) .XX (± 0.10) .XXX (± 0.05) DIMENSIONS PER ANSI Y14.5			ECO NO.	
TITLE:		DRAWING NOT REPRODUCED TO SCALE		
REUSABLE MALE STEM		SIZE A	DWG. NO. 1820806S	REV B