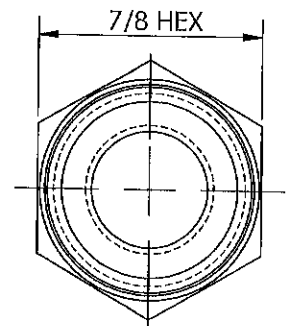
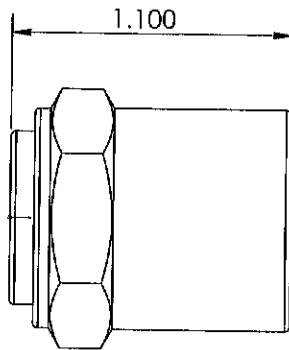
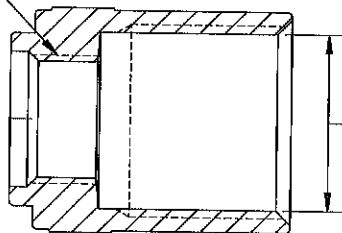


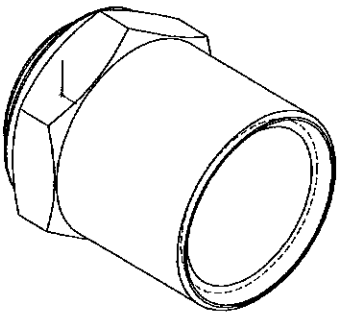
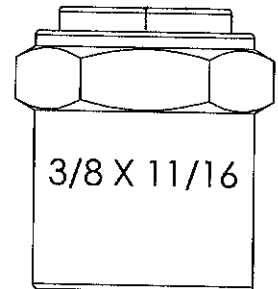
LINE DRAWING NOT FOR PRODUCTION PURPOSES




1/2-20 UNF-2B  
HOSE I.D. 3/8

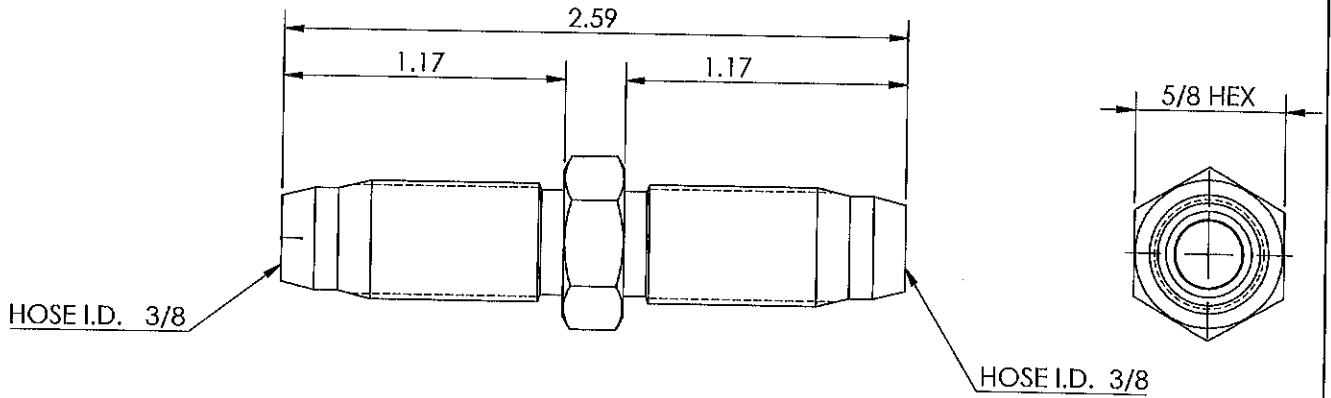


Ø HOSE O.D. 11/16

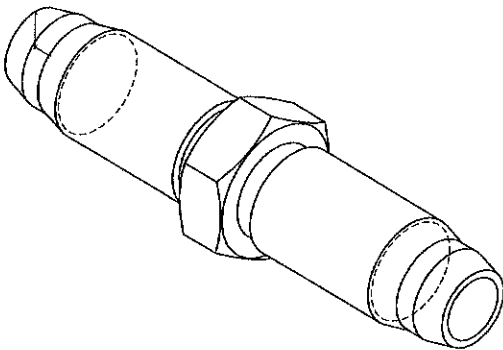
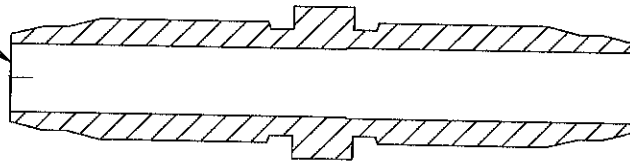



THIS DRAWING CONTAINS INFORMATION DEEMED PROPRIETARY TO DIXON BRASS AND IS TO BE USED ONLY FOR THE PURPOSE FOR WHICH IT IS SUBMITTED, AND FURTHER, SHALL NOT BE COPIED IN WHOLE OR IN PART WITHOUT EXPRESS WRITTEN PERMISSION FIRST OBTAINED FROM DIXON BRASS.				
UNLESS OTHERWISE SPECIFIED:				
DIMENSIONS ARE IN INCHES		 <b>Dixon Brass</b> Westmont, Illinois USA	DRAWN P. MONAGHAN APPROVED	DATE 4/17/15 DATE
TOLERANCES: ANGLES: ±0°30' .X (±.016) .XX (±.010) .XXX (±.005)			ECO NO.	
DIMENSIONS PER ANSI Y14.5		TITLE: REUSABLE FERRULE	DRAWING NOT REPRODUCED TO SCALE	
SIZE: A	DWG. NO. 1800611F		REV: B	

LINE DRAWING NOT FOR PRODUCTION PURPOSES



THRU HOLE DIA. .281



THIS DRAWING CONTAINS INFORMATION DEEMED PROPRIETARY TO DIXON BRASS AND IS SO TO BE USED ONLY FOR THE PURPOSE FOR WHICH IT IS SUBMITTED, AND FURTHER, SHALL NOT BE COPIED IN WHOLE OR IN PART WITHOUT EXPRESS WRITTEN PERMISSION FIRST OBTAINED FROM DIXON BRASS, UNLESS OTHERWISE SPECIFIED:			
DIMENSIONS ARE IN INCHES	 <b>Dixon Brass</b> Westmont, Illinois USA	DRAWN P. MONAGHAN	DATE 4/30/15
TOLERANCES: ANGLES: $\pm 0^{\circ}30'$ .X ( $\pm .015$ ) .XX ( $\pm .010$ ) .XXX ( $\pm .005$ ) DIMENSIONS PER ANSI Y14.5		APPROVED	DATE
TITLE: <b>REUSABLE HOSE SPLICER</b>		ECO NO.	DRAWING NOT REPRODUCED TO SCALE
SIZE <b>A</b>	DWG. NO. <b>1860606S</b>	REV <b>D</b>	