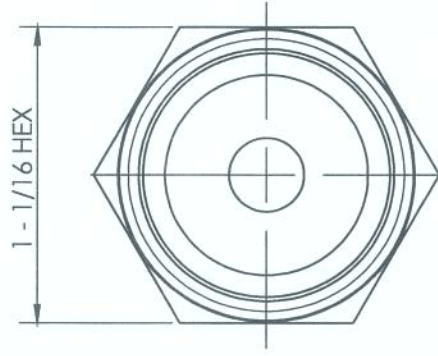
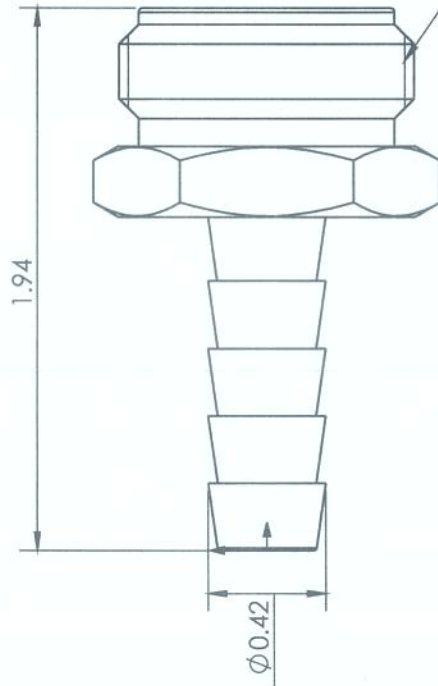


LINE DRAWING NOT FOR PRODUCTION PURPOSES



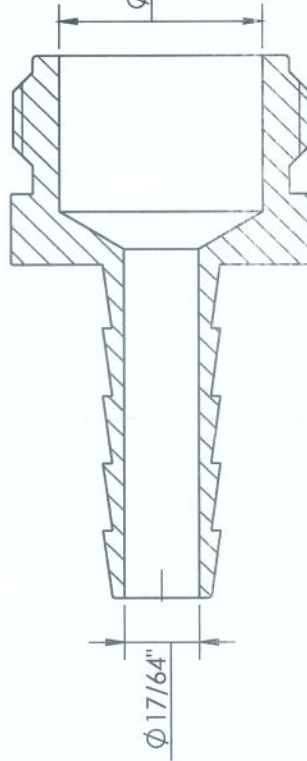
1 - 1/16 HEX



1.94

$\phi 0.42$

3/4 - 11 - 1/2 NH



$\phi 23/32''$

$\phi 17/64''$

MATERIAL 1 - 1/16 HEX ALLOY 360 BRASS

This drawing is owned by Dixon Valves Coupling Co. and shall be returned upon demand. It is loaned on the condition that the recipient shall not use or copy this drawing or any design detail or concept disclosed herein shall not be used in any way detrimental to or in competition with the owner. If the recipient does not agree to the terms of this agreement they shall return this drawing immediately. The information contained in this drawing is subject to change without notice.



**Dixon Brass**  
Westmont, Illinois USA

DATE 12/12/17  
DRAWN BY H. BARRERA

APPROVED

ECO NO.

TITLE: 3/4 BARB GARDEN HOSE MALE

DO NOT SCALE THIS DRAWING

SIZE DWG. NO. A 5900612C

REV A