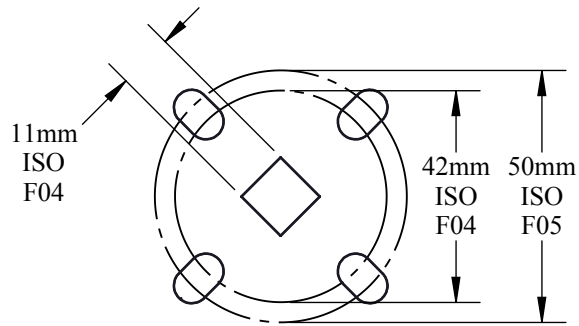


DATE DRAWN: 07/25/2019

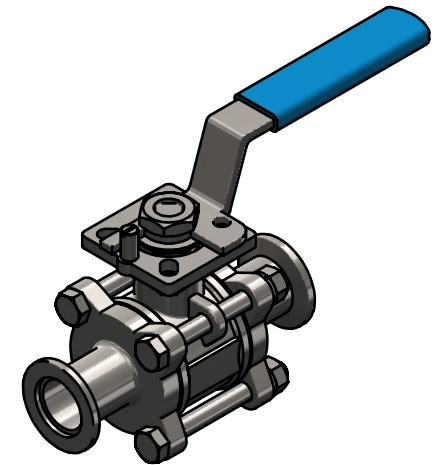
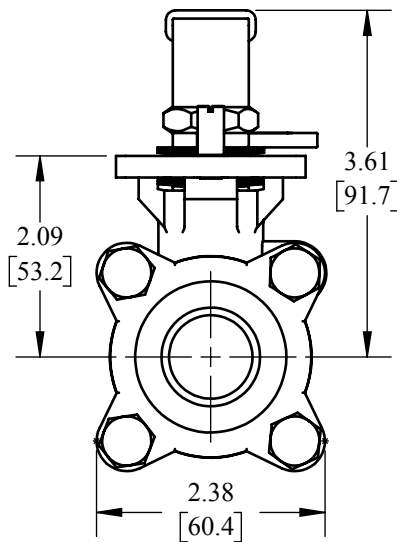
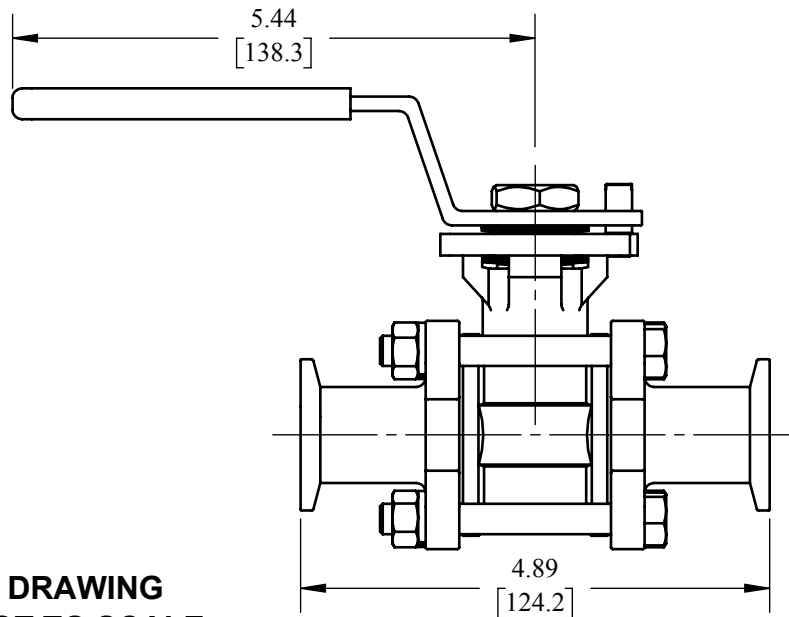
INSERT REV TABLE BELOW

REVISIONS		
REV.	DESCRIPTION	DATE

ACTUATION PAD



D-TORR



DRAWING NOT TO SCALE

UNITS: IN [MM] | PRODUCT CONTACT MAX. SURFACE FINISH: | WEIGHT: | MATERIAL: CF8M, PTFE | DRAFTER: MWR

DESCRIPTION:

**BV2C SERIES 2-WAY ENCAPSULATED
SANITARY 3-PIECE BALL VALVE W/ KF25 ENDS**

PART #

BV2CV-100VV-A

PROPRIETARY AND CONFIDENTIAL

THIS DRAWING IS OWNED BY DIXON VALVE & COUPLING CO. AND SHALL BE RETURNED UPON DEMAND. IT IS LOANED ON CONDITION THAT IT SHALL NOT BE COPIED OR REPRODUCED OR SBMITTED TO OTHERS WITHOUT THE OWNER'S CONSENT. IN ACCEPTING IT SUBJECT TO THIS CONDITION THE RECIPIENT FURTHER AGREES THAT THIS DRAWING OR ANY DESIGN DETAIL OR CONCEPT DESCLOSED HEREIN SHALL NOT BE USED IN ANY WAY DETRIMENTAL TO OR IN COMPETITION WITH THE OWNER. IF THE RECIPIENT DOES NOT AGREE TO THE TERMS OF THIS AGREEMENT THEY SHALL RETURN THIS DRAWING IMMEDIATELY. THE INFORMATION CONTAINED IN THIS DRAWING IS SUBJECT TO CHANGE WITHOUT NOTICE.



The Right Connection®