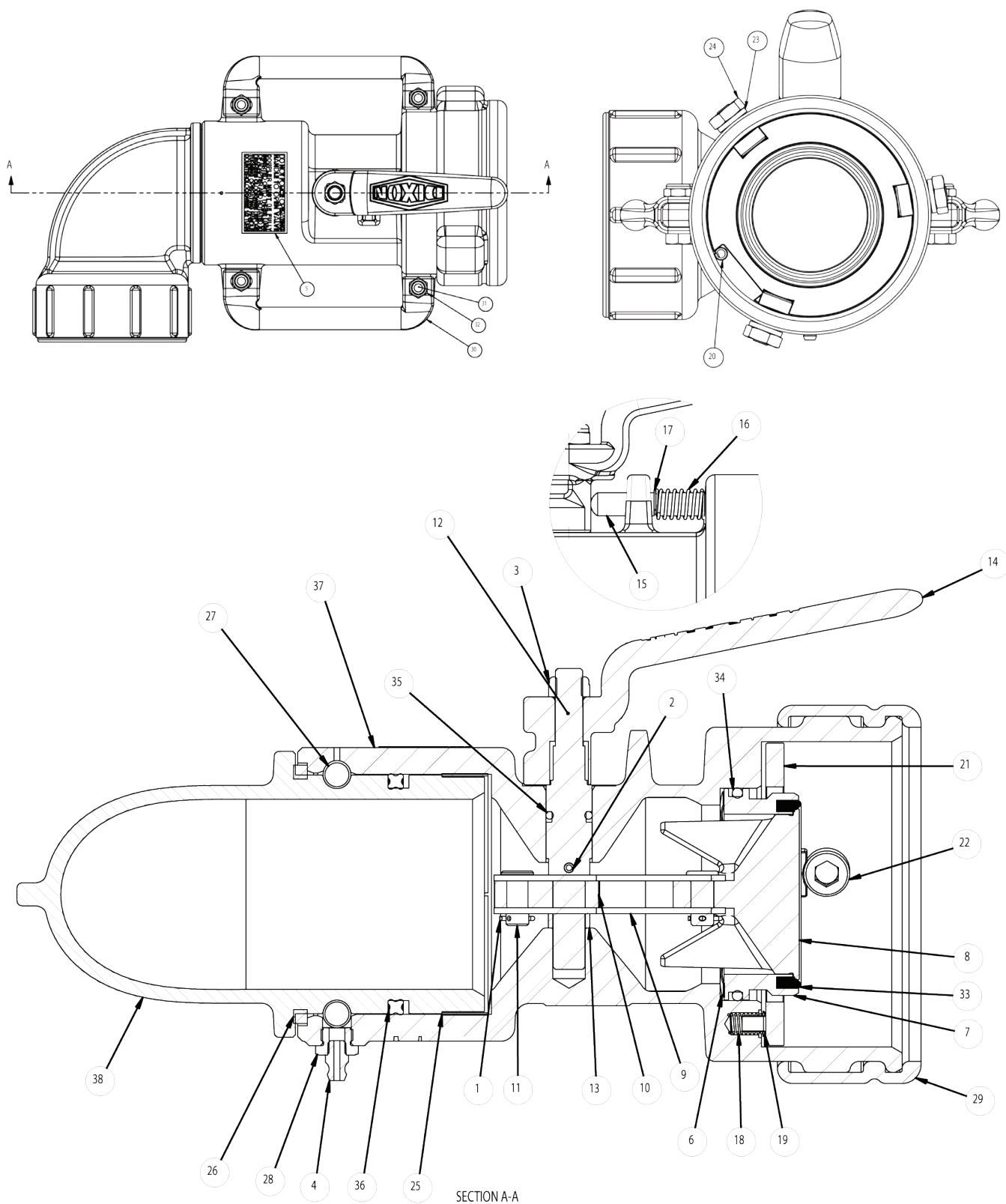


BA/BS/BSS Series Bayonet Style Dry Disconnects 3" 90° and Straight Swivel Couplers



Petroleum
Replacement Parts

Product instruction sheets and technical data can be viewed on our website at dixongroupcanada.com by selecting the 'Resources' menu.

BA/BS/BSS Series Bayonet Style Dry Disconnects

3" 90° and Straight Swivel Couplers

*The 90° swivel coupler (BS series) is illustrated on page 24.
The straight swivel coupler (BSS series) uses the same components.*

3" swivel aluminum coupler

Bill of Materials

BS6x-300 and BSS6x-300

Item #	Description	Part #	Qty
1	cotter pin	40088SS	2
2	spring pin	40152SS	1
3	lock nut	40155SS	1
4	grease fitting	40158ST	1
5	label	40167AL	1
6	wave spring	40246SS	1
7	nose piece	40247HC	1
8	poppet	40248CA	1
9	bent link	40249SS	2
10	drive link	40250SS	1
11	clevis pin	40251SS	2
12	stem	40252SS	1
13	stem spacer	40253AL	1
14	lever (handle)	40254SS	1
15	interlock pin	40255SS	1
16	compression spring	40256SS	1
17	retaining ring	40257ST	1
18	compression spring	40258SS	3
19	eyelet	40259BR	3
20	spring pin	40260SS	1
21	lock ring	40261SS	1
22	bayonet stud	40262SS	3
23	lock washer	40263SS	3
24	nut	40264SS	3
25	bearing strip	40265NY	1
26	dust seal	40266FL	1
27	ball bearings	40267SS	27
28	ball plug	40268BR	1
29	bumper ring	40269VY	1
30	grip handle	40270SS	2
31	bolt	40271SS	4
32	lock nut	40272SS	4
33A	Buna nose seal	40273BN	1
33B	FKM nose seal	40273VI	1
34A	Buna nose body O-ring	40274BN	1
34B	FKM nose body O-ring	40274VI	2
35A	Buna stem O-ring	40275BN	1
35B	FKM stem O-ring	40275VI	1
36A	Buna quad ring	40276BN	1
36B	FKM quad ring	40276VI	1
37	main body	---	1
38	swivel body	---	1

Repair Kits

Part #	Description	Includes Item #
BS61-300RK1	seal repair kit, Buna nose seal, spring pin, Buna swivel O-rings, Buna stem O-ring, Buna nose body O-ring, cotter pin, bearing strip and bumper ring	1, 2, 25, 29, 33A, 34A, 35A
BS62-300RK1	seal repair kit, FKM nose seal, spring pin, FKM swivel O-rings, FKM stem O-ring, FKM nose body O-ring, cotter pin, bearing strip and bumper ring	1, 2, 25, 29, 33B, 34B, 35B
BS61-300RK2	swivel seal repair kit, Buna swivel O-rings and bearing strip	25, 26, 36A
BS62-300RK2	swivel seal repair kit, FKM swivel O-rings and bearing strip	25, 26, 36B

Product instruction sheets and technical data can be viewed on our website at dixongroupcanada.com by selecting the 'Resources' menu.