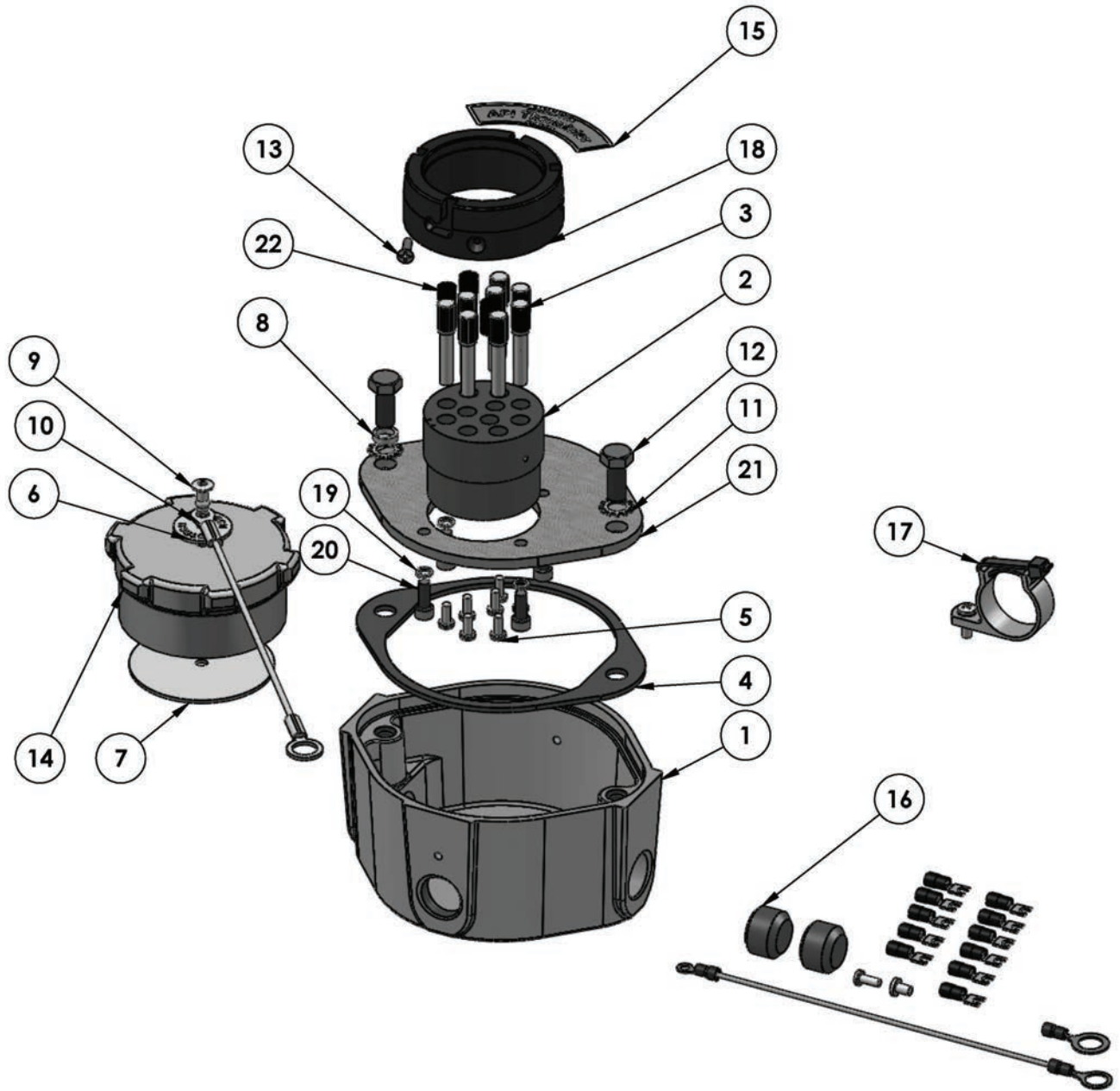


FT30x Series Single J Slot Sockets



FT30x Series Single J Slot Sockets

Bill of Materials

Item #	Description	Part #	FT300	FT300SS	FT301	FT301SS	FT303	FT303SS	FT304	FT304SS	FT307	FT307SS	FT310	FT310SS	FT311	FT311SS	FT313	FT313SS	FT314	FT314SS	FT317	FT317SS	
1	aluminum housing	10031 (was FT9007)	1	1	1	1	1	1	1	1	1	1	n/a	n/a	n/a	n/a	n/a	n/a	n/a	n/a	n/a	n/a	n/a
2A	optic contact block	10690PL-001	1	1	1	1	1	1	1	1	1	1	1	1	1	1	1	1	1	1	1	1	1
2B	thermistor contact block	10690PL-002	1	1	1	1	1	1	1	1	1	1	1	1	1	1	1	1	1	1	1	1	1
3	stainless steel socket pin	10368SS	6	6	8	8	6	6	10	10	6	6	6	6	8	8	6	6	10	10	6	6	6
4	neoprene gasket	10138 (was FT9032)	1	1	1	1	1	1	1	1	1	1	1	1	1	1	1	1	1	1	1	1	1
5	stainless steel screw	10086	6	6	8	8	6	6	10	10	6	6	6	6	8	8	6	6	10	10	6	6	6
6	aluminum name plate - socket washer	FT320 or FT321	1	1	1	1	1	1	1	1	1	1	1	1	1	1	1	1	1	1	1	1	1
7	aluminum washer 2.500 x .0625	Use cap kit FT320 or FT321	1	1	1	1	1	1	1	1	1	1	1	1	1	1	1	1	1	1	1	1	1
8	stainless steel spacer	10089	1	1	1	1	1	1	1	1	1	1	1	1	1	1	1	1	1	1	1	1	1
9	aluminum rivet .1875	Use cap kit FT320 or FT321	1	1	1	1	1	1	1	1	1	1	1	1	1	1	1	1	1	1	1	1	1
10	stainless steel cable - socket 8"	Use cap kit FT320 or FT321	1	1	1	1	1	1	1	1	1	1	1	1	1	1	1	1	1	1	1	1	1
11	stainless steel lock washer	10092	2	2	2	2	2	2	2	2	2	2	2	2	2	2	2	2	2	2	2	2	2
12	stainless steel screw	10093	2	2	2	2	2	2	2	2	2	2	2	2	2	2	2	2	2	2	2	2	2
13	stainless steel screw - contact block	10094	1	1	1	1	1	1	1	1	1	1	1	1	1	1	1	1	1	1	1	1	1
14A	vinyl dust cap - thermistor (green)	Use cap kit FT321	n/a	n/a	1	n/a	n/a	1	n/a	n/a	1	1	n/a	n/a	1	1	n/a	n/a	1	1	n/a	n/a	n/a
14B	vinyl dust cap - optic (blue)	Use cap kit FT320	1	1	n/a	n/a	1	n/a	n/a	1	1	1	1	n/a	n/a	1	1	n/a	n/a	1	1	n/a	n/a
15A	aluminum name plate - FT300	10099	1	1	n/a	n/a	n/a	n/a	n/a	n/a	n/a	n/a	1	1	n/a	n/a	n/a	n/a	n/a	n/a	n/a	n/a	n/a
15B	aluminum name plate - FT301	10100	n/a	n/a	1	1	n/a	n/a	n/a	n/a	n/a	n/a	n/a	1	1	n/a	n/a	n/a	n/a	n/a	n/a	n/a	n/a
15C	aluminum name plate - FT303	10228	n/a	n/a	n/a	n/a	1	1	n/a	n/a	n/a	n/a	n/a	n/a	n/a	1	1	n/a	n/a	n/a	n/a	n/a	n/a
15D	aluminum name plate - FT304	10101	n/a	n/a	n/a	n/a	n/a	n/a	1	1	n/a	n/a	n/a	n/a	n/a	n/a	n/a	n/a	1	1	n/a	n/a	n/a
15E	aluminum name plate - FT307	10283	n/a	n/a	n/a	n/a	n/a	n/a	n/a	1	1	n/a	n/a	n/a	n/a	n/a	n/a	n/a	n/a	n/a	1	1	n/a
16	assembly hardware	10106	1	1	1	1	1	1	1	1	1	1	1	1	1	1	1	1	1	1	1	1	1
17	nylon clamp assembly	10264	n/a	n/a	1	1	n/a	n/a	1	1	n/a	n/a	n/a	n/a	1	1	n/a	n/a	1	1	n/a	n/a	n/a
18A	ALH wear ring - 4 J slots	10366HC-001 (was FT9042)	n/a	n/a	1	n/a	1	n/a	1	n/a	1	n/a	n/a	n/a	1	n/a	1	n/a	1	n/a	1	n/a	n/a
18B	ALH wear ring - 3 J slots	10366HC-002 (was FT9041)	1	n/a	n/a	n/a	n/a	n/a	n/a	n/a	n/a	n/a	1	n/a	n/a	n/a	n/a	n/a	n/a	n/a	n/a	n/a	n/a
18C	stainless steel wear ring - 4 J slots	10366SS-001 (was FT9044)	n/a	n/a	n/a	1	n/a	1	n/a	1	n/a	1	n/a	n/a	n/a	1	n/a	1	n/a	1	n/a	1	1
18D	stainless steel wear ring - 3 J slots	10366SS-002 (was FT9043)	n/a	1	n/a	n/a	n/a	n/a	n/a	n/a	n/a	n/a	n/a	1	n/a	n/a	n/a	n/a	n/a	n/a	n/a	n/a	n/a
19	stainless steel lock washer	10375SS	4	4	4	4	4	4	4	4	4	4	4	4	4	4	4	4	4	4	4	4	4
20	stainless steel screw	10376SS	4	4	4	4	4	4	4	4	4	4	4	4	4	4	4	4	4	4	4	4	4
21	aluminum socket plate	10431AL	1	1	1	1	1	1	1	1	1	1	1	1	1	1	1	1	1	1	1	1	1
22	plastic black button insert	BLACK BUTTON INSERT	6	6	6	6	6	6	6	6	6	6	6	6	6	6	6	6	6	6	6	6	6

Repair Kits

Part #	Description	Includes Item #
FT320	replacement blue (optic) vinyl cap assembly	6, 7, 9, 10, 14B
FT321	replacement green (thermistor) vinyl cap assembly	6, 7, 9, 10, 14A
FT310	face plate assembly - API optic ALH wear ring 6 pin 3 J Slots (US)	2 - 16, 18 - 22
FT310SS	face plate assembly - API optic SS GFL wear ring 6 pin 3 J Slots (US)	2 - 16, 18 - 22
FT311	face plate assembly - API Thermistor ALH wear ring 8 pin 4 J Slots (US)	2 - 22
FT311SS	face plate assembly - API Thermistor SS GFL wear ring 8 pin 4 J Slots (US)	2 - 22
FT313	face plate assembly - optic ALH wear ring 6 pin 4 J Slots (US)	2 - 16, 18 - 22
FT313SS	face plate assembly - optic SS GFL wear ring 6 pin 4 J Slots (US)	2 - 16, 18 - 22
FT314	face plate assembly - Thermistor ALH wear ring 10 pin 4 J Slots (Canada)	2 - 22
FT314SS	face plate assembly - Thermistor SS GFL wear ring 10 pin 4 J Slots (Canada)	2 - 22
FT317	face plate assembly - optic ALH wear ring 6 pin 4 J Slots (Canada)	2 - 16, 18 - 22
FT317SS	face plate assembly - optic SS GFL wear ring 6 pin 4 J Slots (Canada)	2 - 16, 18 - 22
FT9008	replacement contact block for FT300 Optic	2, 3, 5, 13
FT9009	replacement contact block for FT301 Thermistor	2, 3, 5, 13
FT9010	replacement contact block for FT304 10 pin Thermistor	2, 3, 5, 13
FT9013	replacement faceplate 4 J slot (no contact block or hardware)	4, 15B, 18A, 1921
FT9020	replacement socket pin, screw & crimp lug	3, 5
FT9034	replacement faceplate 3 J slot, (without contact block and hardware)	4, 15A, 18B, 1921
FT9046	replacement socket contact pins, and screws	3, 5
FT9068	replacement contact block attachment screws and washers (4 each)	19, 20

Product instruction sheets and technical data can be viewed on our website at dixongroupcanada.com by selecting the 'Resources' menu.